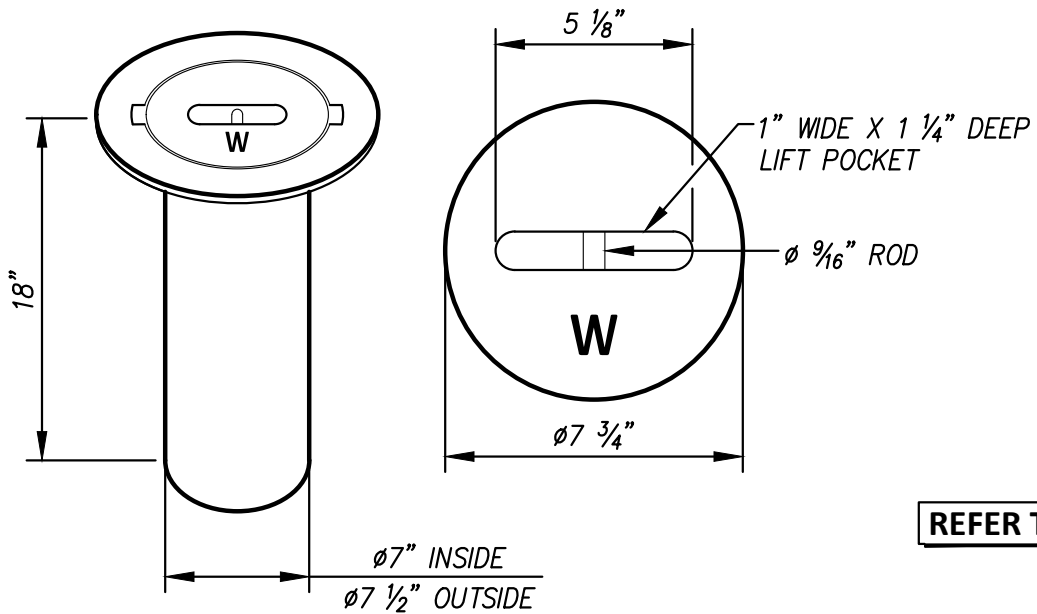
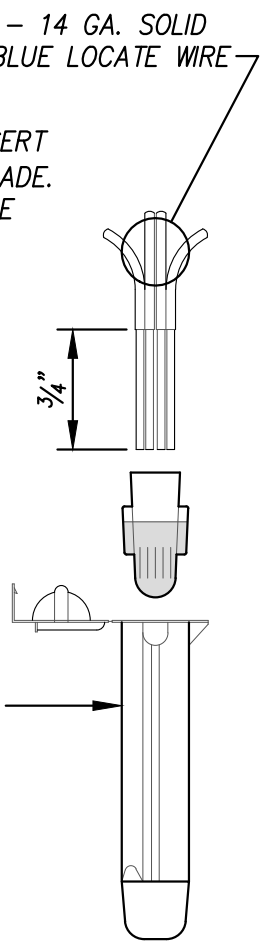


INSTALL 3M DIRECT BURY SPLICE KIT PER MANUFACTURER'S INSTRUCTIONS. TYP. ALL BELOW GRADE WIRE SPLICE LOCATIONS

3M DBR/Y-6 DIRECT BURY SPLICE KIT TYP.



REFER TO NOTES ON BACK

MODEL 910 18" FLANGE UP VALVE BOX AND COVER

SCALE: N.T.S.
DRAWN BY: LSB
CONSTRUCTION: <i>Carlin</i>
ENGINEERING: <i>KPL</i>



WATER DIVISION STANDARD DRAWING
VALVE TILE INSTALLATION AND WIRE SPLICE DETAIL

DRAWING NUMBER
W1.16
REVISED: 03-16-2021

SPECIFICATION NOTE:

THE SPECIFICATION REFERENCE(S), IF PROVIDED, IN THIS STANDARD ARE FOR INFORMATIONAL PURPOSES ONLY AND MAY NOT BE COMPLETE. IT IS THE CONTRACTORS RESPONSIBILITY TO ENSURE THAT ANY INSTALLATION PERFORMED MEETS THE REQUIREMENTS SET FORTH IN THE STANDARD CONSTRUCTION SPECIFICATIONS AND ANY OTHER APPLICABLE STANDARD.

NOTES

- 1. VALVE BOX AND COVER SHALL BE ADJUSTED TO MATCH FINISHED GRADE.*
- 2. PVC RISER SHALL BE ONE CONTINUOUS PIECE. NO BELLS OR COUPLERS.*
- 3. WHERE OPERATING NUT DEPTH IS GREATER THAN 5' A VALVE OPERATING NUT EXTENSION IS REQUIRED. REFER TO SUB WATER SPECIFICATIONS AND WSC STD. DWG. W1.18.*
- 4. INSTALL ENOUGH TRACER WIRE TO BE EXTENDED 12" ABOVE GROUND FOR FACILITY LOCATING PURPOSES.*